



## SWING DOOR SYSTEMS

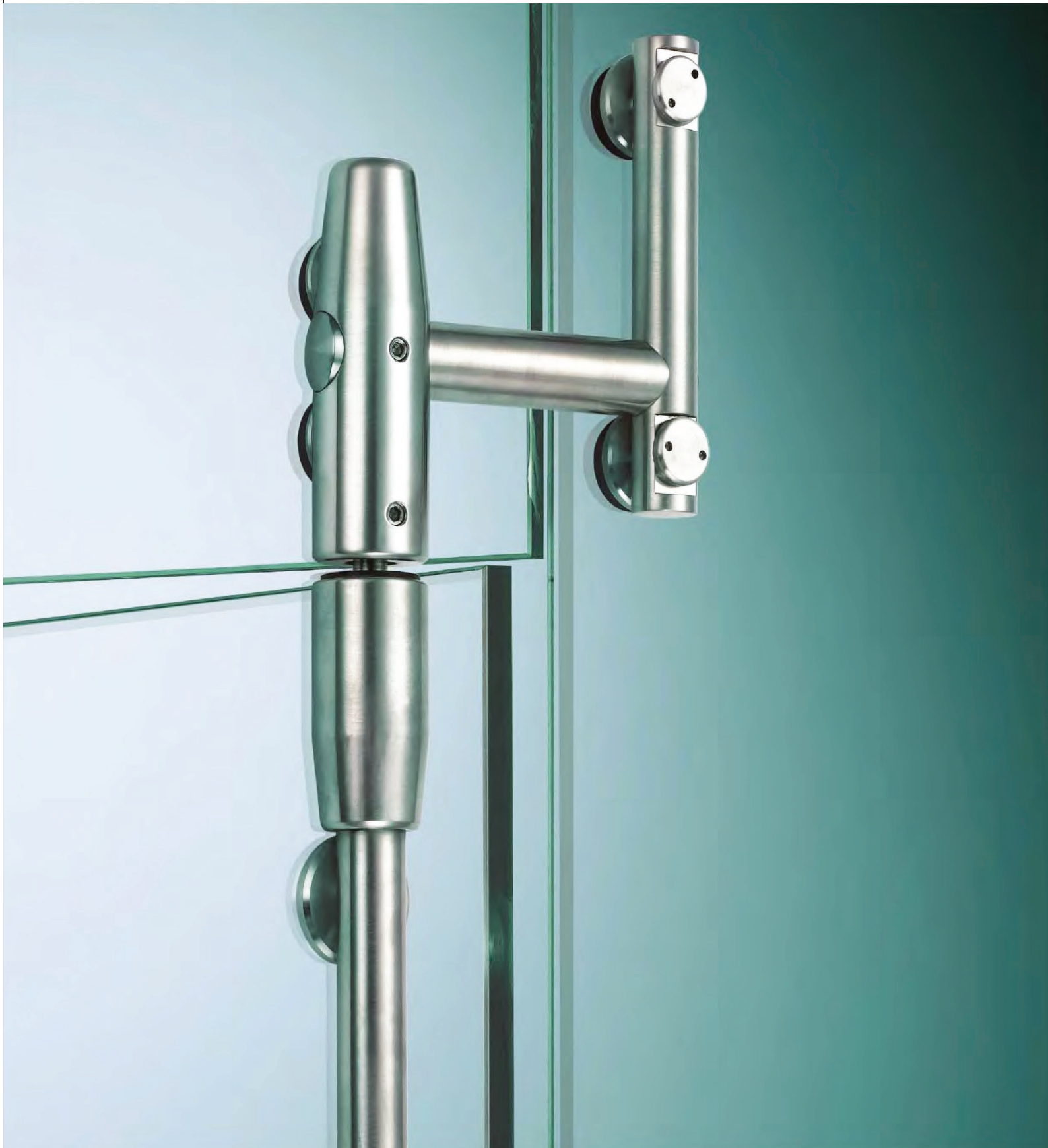


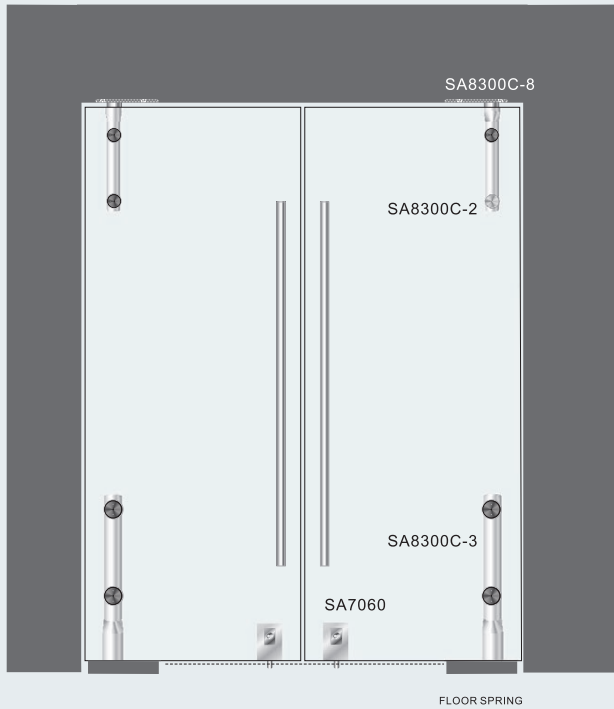
*Quality first*



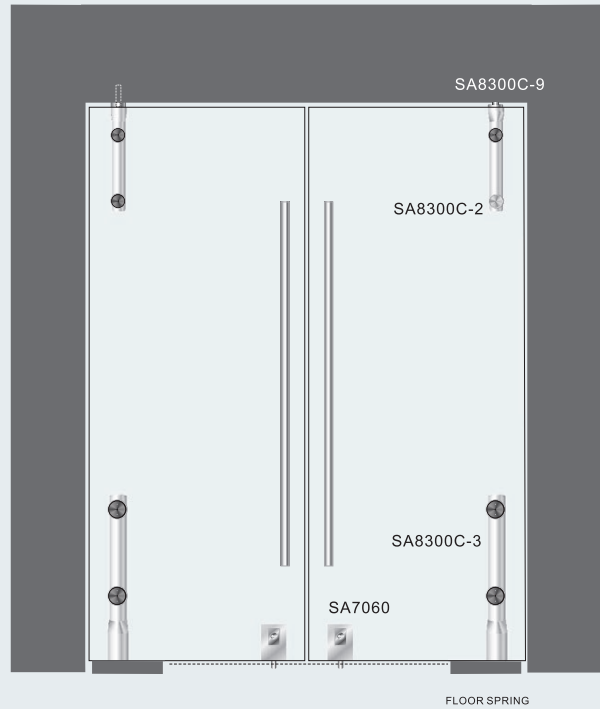
# Swing Door Systems

Expressive design for all

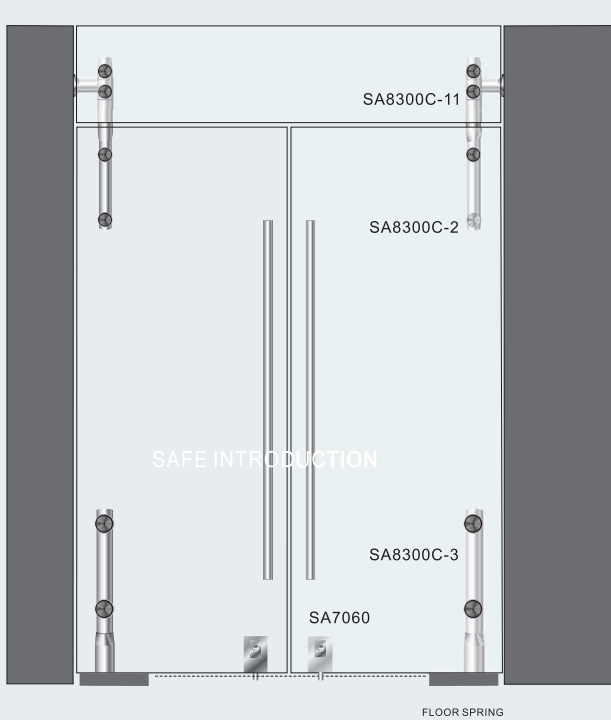




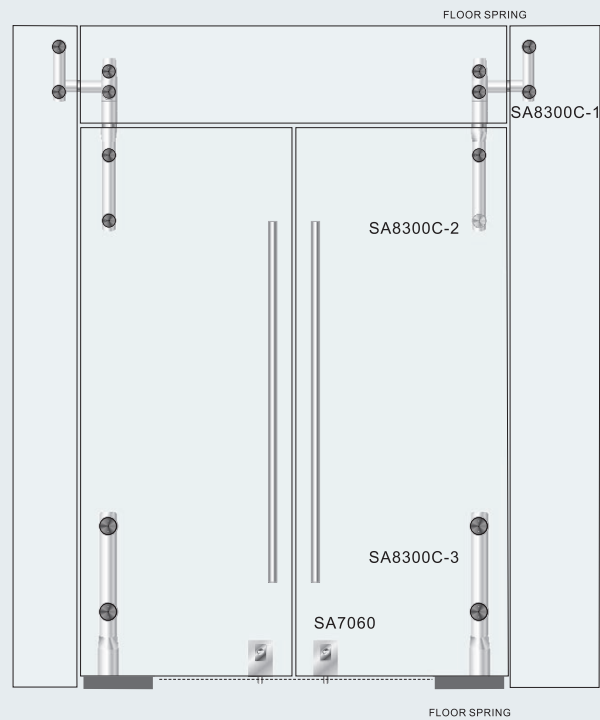
Installation A



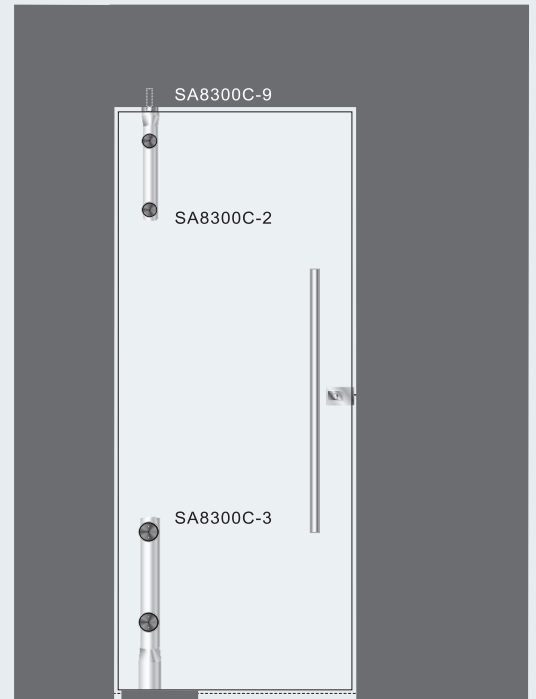
Installation B



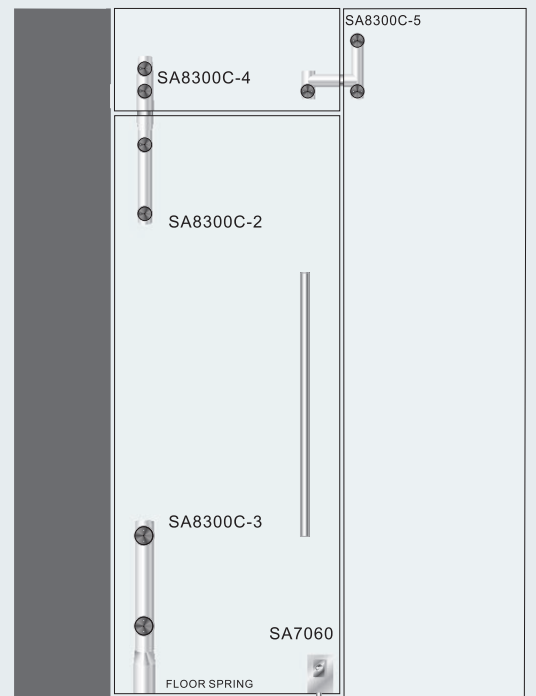
Installation C



Installation D



Installation E

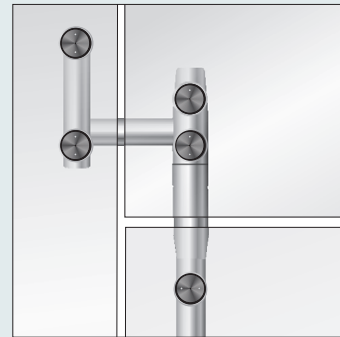
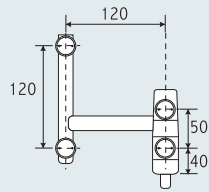


Item Number

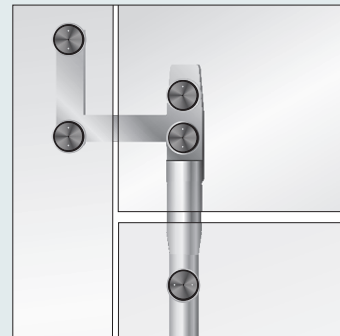
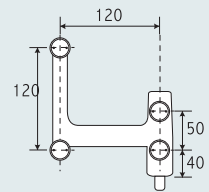
Dimensions in mm/Specification



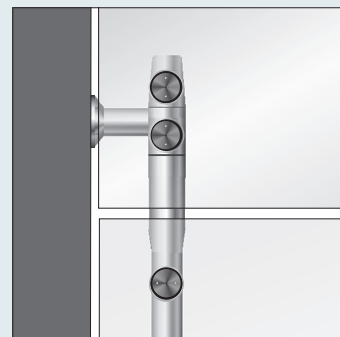
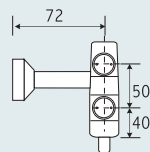
PRODUCT MODEL  
**SA8300C-1**  
Side panel/over panel pivot



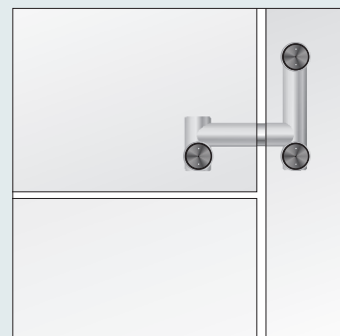
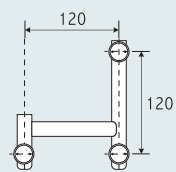
PRODUCT MODEL  
**SA8300D-1**  
Side panel/over panel pivot



PRODUCT MODEL  
**SA8300C-11**  
Wall/over panel pivot



PRODUCT MODEL  
**SA8300C-5**  
Side panel/over panel connector

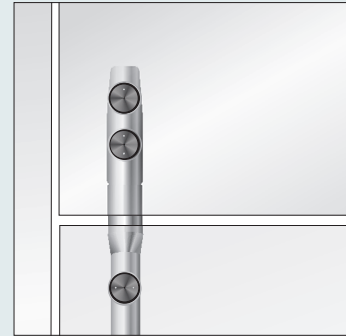
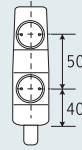


Item Number

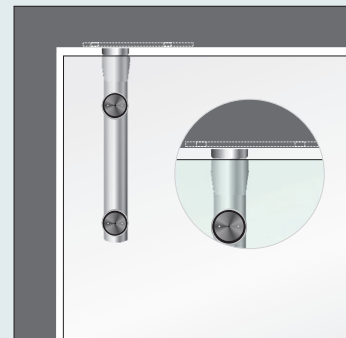
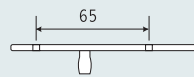
Dimensions in mm/Specification



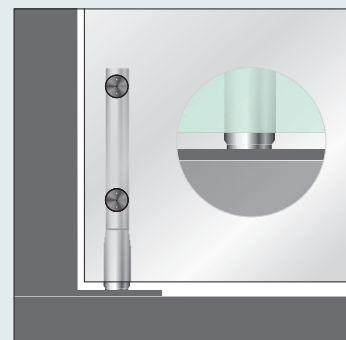
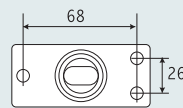
PRODUCT MODEL  
**SA8300C-4**  
Over panel pivot



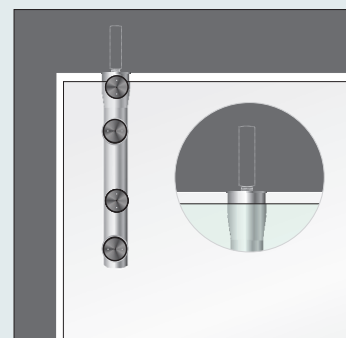
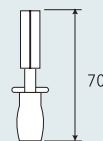
PRODUCT MODEL  
**SA8300C-8**  
Top pivot plate



PRODUCT MODEL  
**SA8300C-6**  
Floor pivot barring



PRODUCT MODEL  
**SA8300C-9**  
Top pivot pin





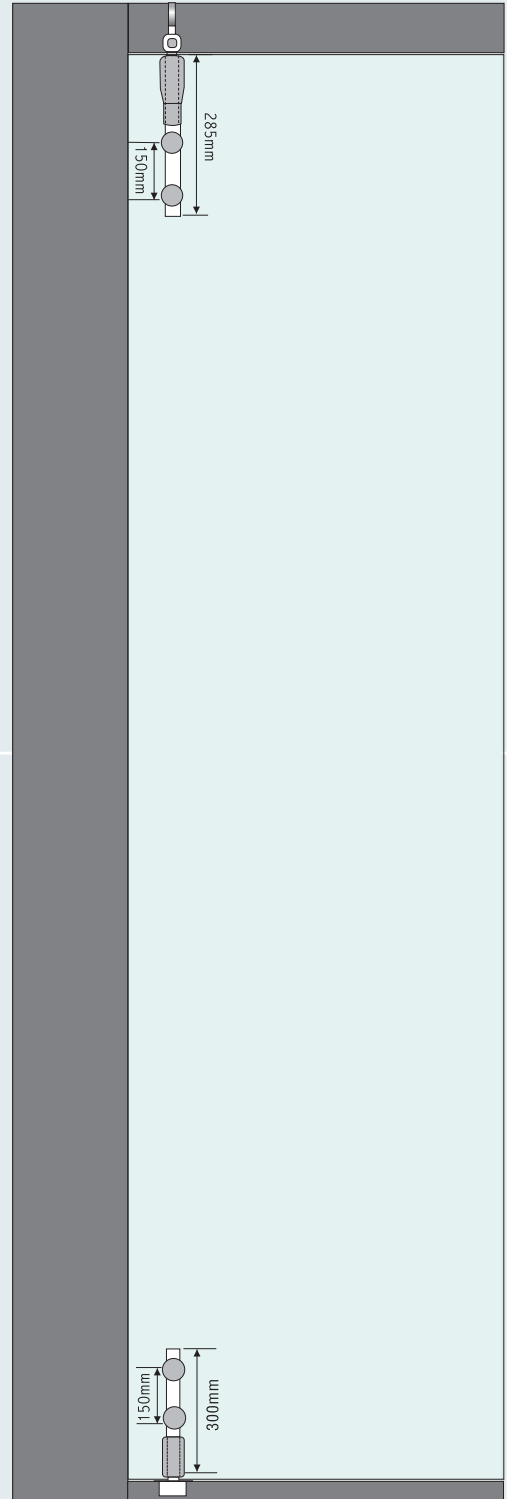
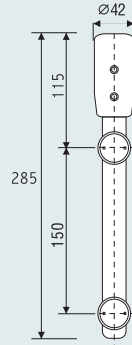
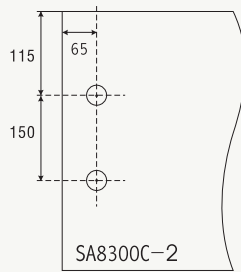
Item Number

Dimensions in mm/Specification



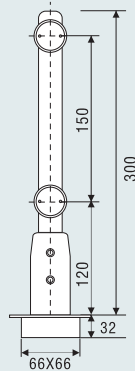
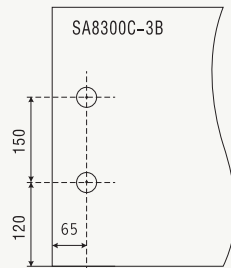
PRODUCT MODEL  
**SA8300C-2**  
Top pivot pole short

hole dimension of glass



PRODUCT MODEL  
**SA8300C-3B**  
Bottom Pivot Pole Short

hole dimension of glass





Item Number

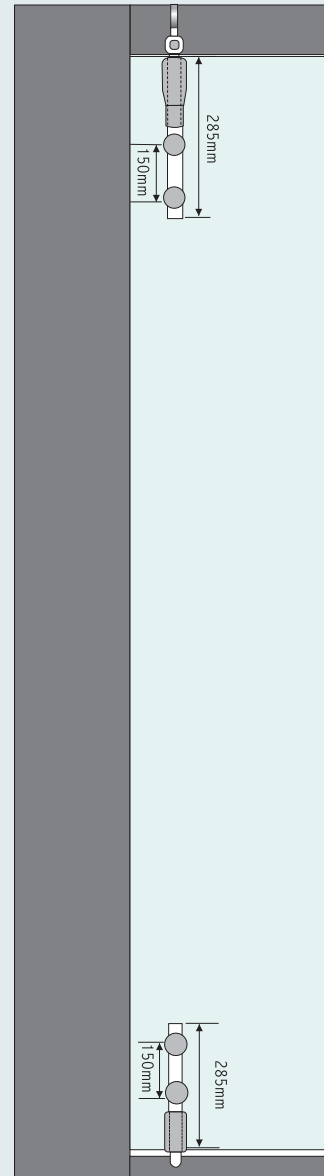
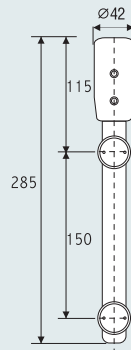
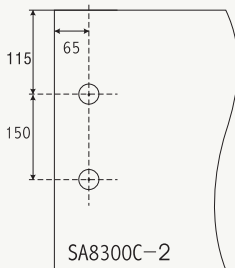
Dimensions in mm/Specification



PRODUCT MODEL  
**SA8300C-2**

Top pivot pole short

hole dimension of glass

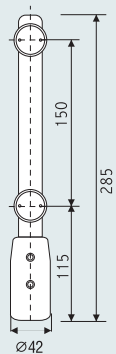
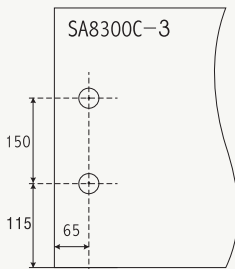


PRODUCT MODEL  
**SA8300C-3**

Bottom pivot pole short

Can offer kinds of floor spring connections

hole dimension of glass



- safe-new glass migration connection hardware system
- complete component may depend on the design for
- the precision casting standard component to need
- to carry on many kinds of combination
- match husband series component to pay great attention
- to its usability and the conveniences
- uses the bold fastening completely, avoids welding
- the design to be precise, the safe reliable
- applicable scope widespread
- may have custom-made specially

Item Number

Dimensions in mm/Specification



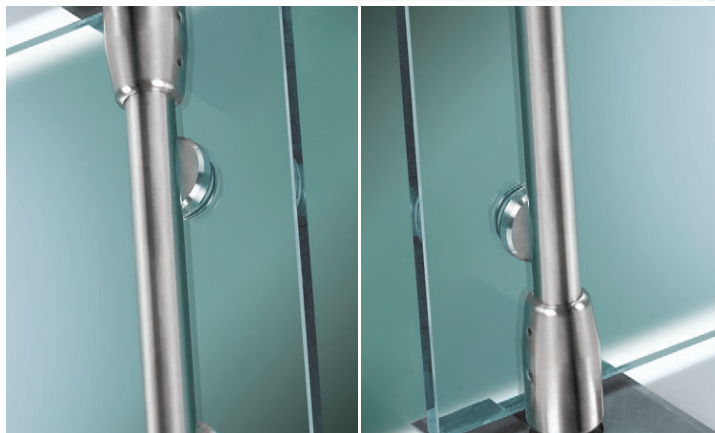
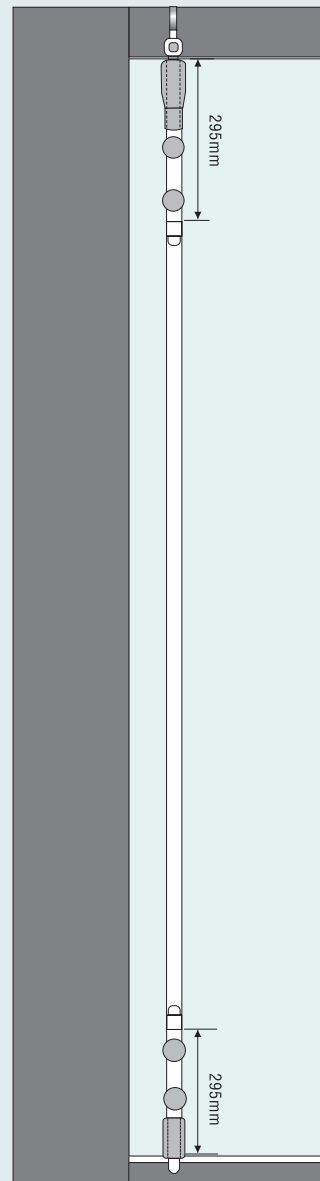
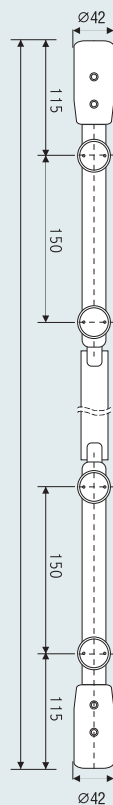
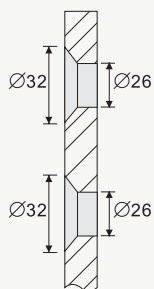
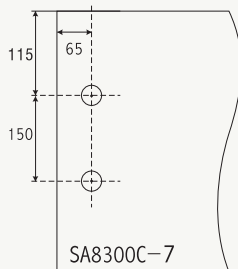
PRODUCT MODEL

**SA8300C-7**

Door pivot pole assembly

Can offer kinds of floor spring connections

hole dimension of glass

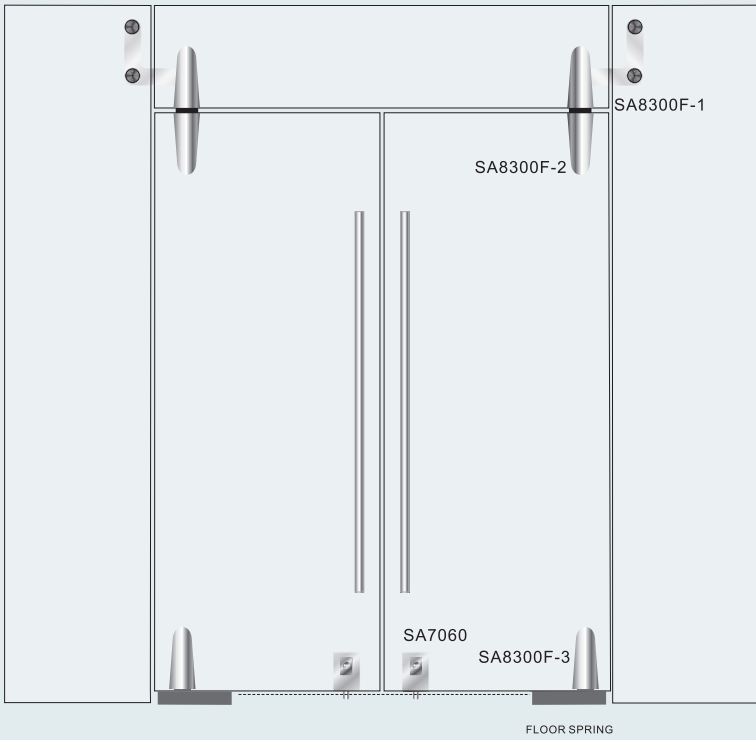




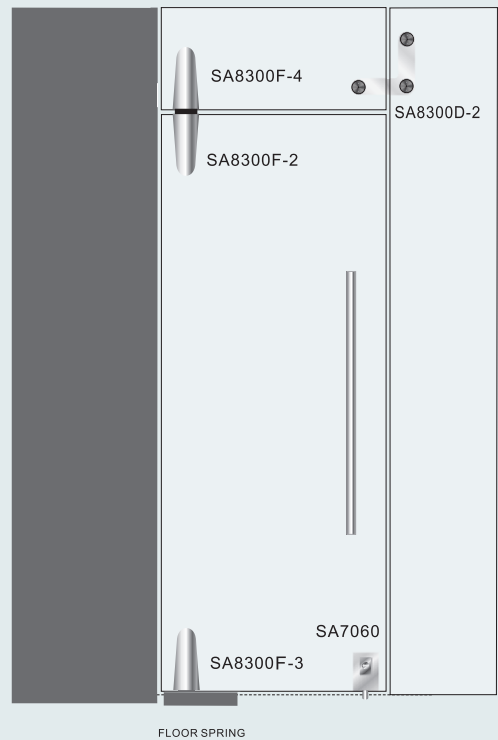
# Swing Door Series



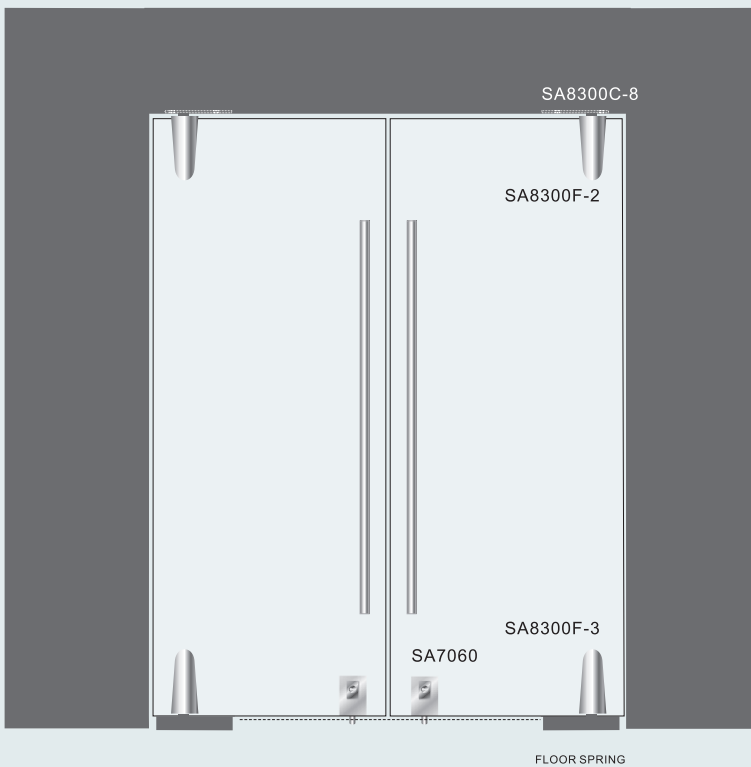




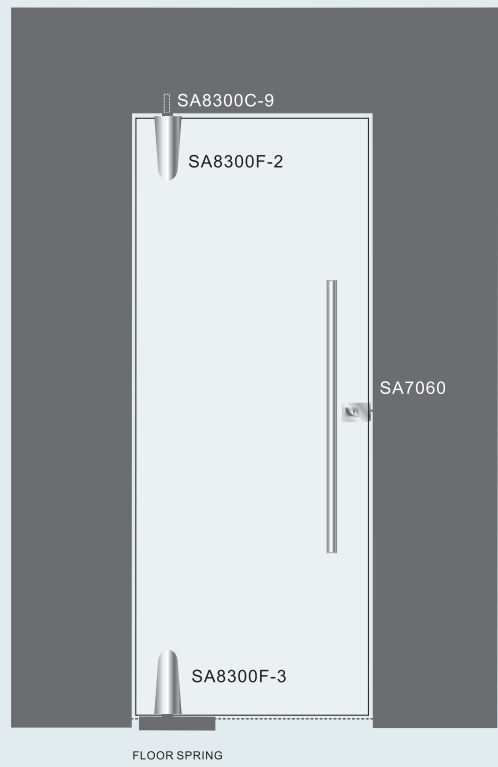
Installation A



Installation B



Installation C



Installation D

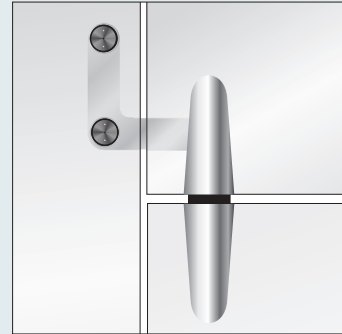
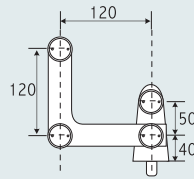


Item Number

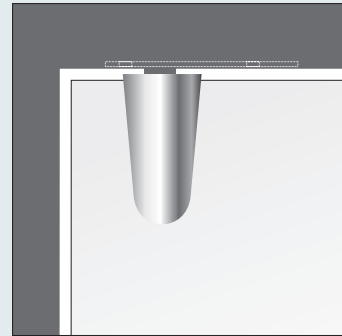
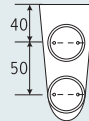
Dimensions in mm/Specification



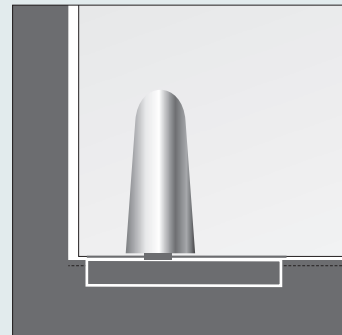
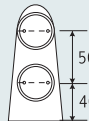
PRODUCT MODEL  
**SA8300F-1**  
Side panel/over panel pivot



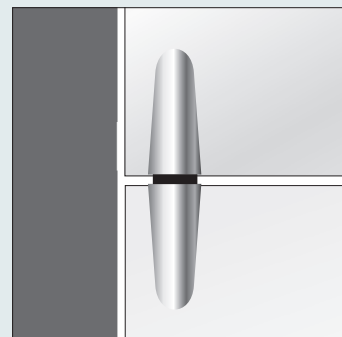
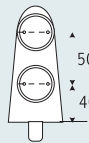
PRODUCT MODEL  
**SA8300F-2**  
Top door pivot



PRODUCT MODEL  
**SA8300F-3**  
Bottom door pivot



PRODUCT MODEL  
**SA8300F-4**  
Over panel pivot

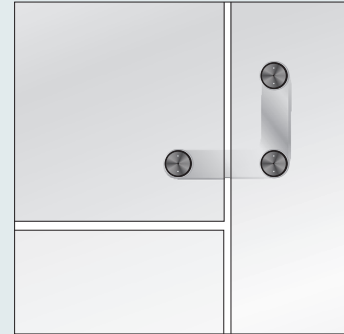
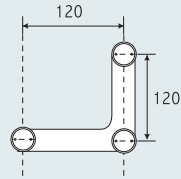


Item Number

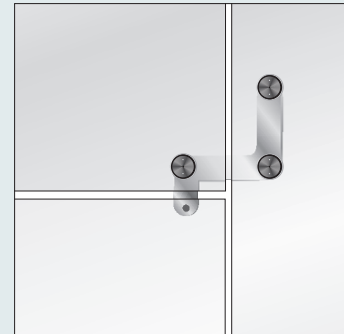
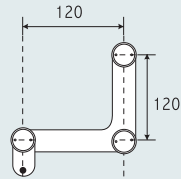
Dimensions in mm/Specification



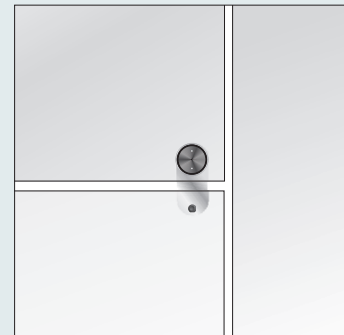
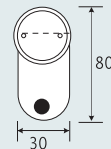
PRODUCT MODEL  
**SA8300D-2**  
Side panel/over panel connector



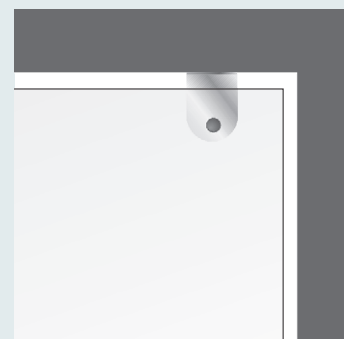
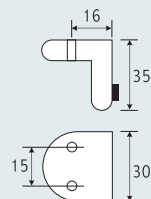
PRODUCT MODEL  
**SA8300D-3**  
Side panel/over panel connector with door stop



PRODUCT MODEL  
**SA8300D-4**  
Over panel door stop



PRODUCT MODEL  
**SA8300D-5**  
Ceiling mounted door stop



*Quality first*

**AV** SCHNEIDER



17 Avenue du Superbe Orenoque  
80 440 , Boves - FRANCE

Tel: +33 (0)3 22 47 47 53

Fax: +33 (0)3 22 38 01 33

E-mail: [info@av-schneider.com](mailto:info@av-schneider.com)

[www.av-schneider.com](http://www.av-schneider.com)

Follow us :   